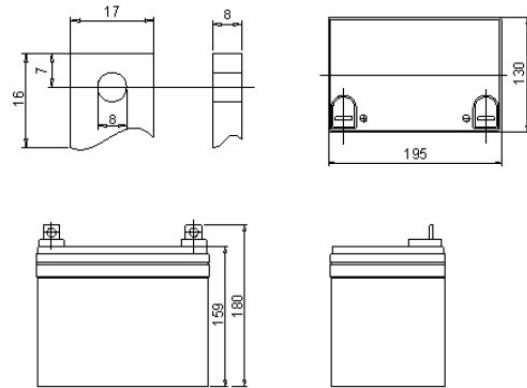




UPSA 12-33

UPSA - are VRLA 10*years life time batteries

[*) see the table "Float service life V'S temperature]



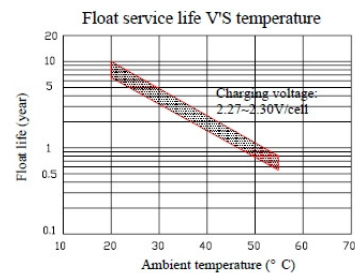
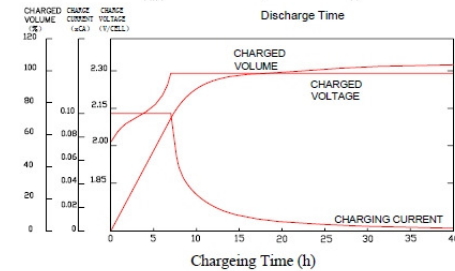
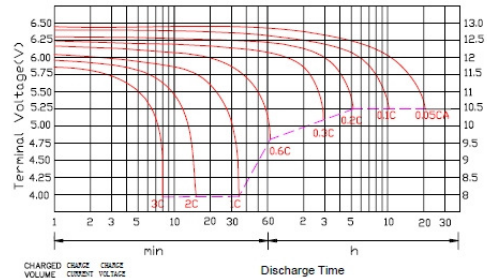
Specifications

Nominal Voltage		12V
Rated Capacity		33Ah
Dimensions	Total Height	7.09 inches (180mm)
	Height	6.26 inches (159mm)
	Length	7.68 inches (195mm)
	Width	5.12 inches (130mm)
Approximate Weight		23.1 lbs. (10.5kg)

Characteristic

Capacity 77°F(25°C)	20h rate	34.4Ah
	10h rate	33Ah
	5h rate	29.8Ah
	1h rate	20Ah
	15 min rate	13.9Ah
Internal Resistance	Full Charged Battery 77°F(25°C)	Approx. 10m Ω
Capacity Affected by Temperature (20h rate)	104°F(40°C)	102%
	77°F(25°C)	100%
	32°F(0°C)	85%
	5°F(-15°C)	65%
Self-Discharge 68°F(20°C) (Capacity after)	3 month storage	90%
	6 month storage	80%
	12 month storage	60%
Max. Discharge Current 77°F(25°C)	330A(5s)	
Terminal	Lead/T11	
Charge (Constant Voltage, 25°C)	Cycle	14.4~14.7V(-24mV/°C) max. current: 9.9 A
	Float	13.6~13.8V(-18mV/°C)

DISCHARGE CHARACTERISTICS AT 25° C(77° F)



Constant Current Discharge Characteristics (A, 25°C)

F.V/TIME	5min	10min	15min	30min	60min	3h	5h	10h	20h
9.60V	110	70.5	58.0	34.0	20.8	8.85	6.07	3.35	1.74
10.2V	105	67.0	55.6	32.6	20.0	8.60	5.95	3.33	1.72
10.8V	98.6	63.0	52.8	31.0	19.0	8.25	5.77	3.30	1.68

Constant Wattage Discharge Characteristics (Watt, 25°C)

F.V/TIME	5min	10min	15min	30min	60min	3h	5h	10h	20h
9.60V	1155	762	637	381	237	104	71.7	40.0	20.9
10.2V	1101	724	611	365	228	101	70.3	39.8	20.6
10.8V	1035	680	580	348	205	97	68.2	39.4	20.2