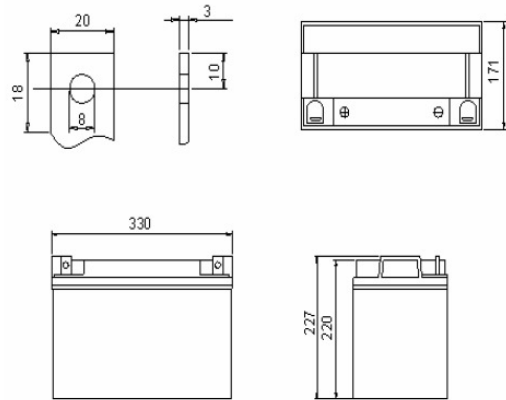


UPSA 12-100

UPSA - are VRLA 10⁺ years life time batteries

[*] see the table "Float service life V'S temperature]



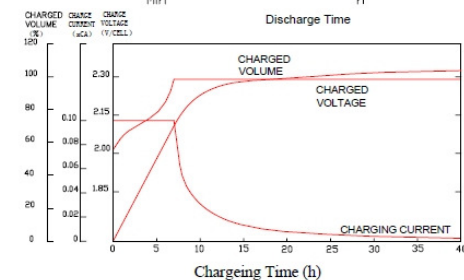
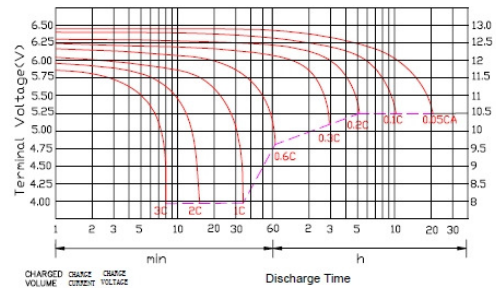
● Specifications

Nominal Voltage	12V	
Rated Capacity	100Ah	
Dimensions	Total Height	8.94 inches (227mm)
	Height	8.66 inches (220mm)
	Length	13.00 inches (330mm)
	Width	6.73 inches (171mm)
Approximate Weight	62.7 lbs. (28.5kg)	

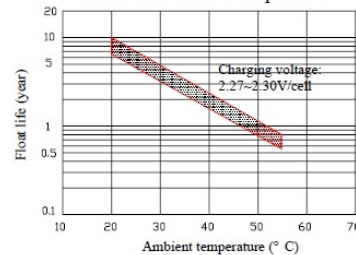
● Characteristic

Capacity 77°F(25°C)	20h rate	107Ah
	10h rate	100Ah
	5h rate	91Ah
	1h rate	62.4Ah
	15 min rate	40.8Ah
Internal Resistance	Full Charged Battery 77°F(25°C)	Approx. 5mΩ
Capacity Affected by Temperature (20h rate)	104°F(40°C)	102%
	77°F(25°C)	100%
	32°F(0°C)	85%
	5°F(-15°C)	65%
Self-Discharge 68°F(20°C) (Capacity after)	3 month storage	90%
	6 month storage	80%
	12 month storage	60%
Max. Discharge Current 77°F(25°C)	800A(5s)	
Terminal	T6/T12	
Charge (Constant Voltage, 25°C)	Cycle	14.4-14.7V(-24mV/°C) max. current: 30A
	Float	13.6-13.8V(-18mV/°C)

DISCHARGE CHARACTERISTICS AT 25° C(77° F)



Float service life V'S temperature



Constant Current Discharge Characteristics (A, 25°C)

F.V/TIME	5min	10min	15min	30min	60min	3h	5h	10h	20h
9.60V	310	213	170	105	65.0	26.4	18.5	10.3	5.35
10.2V	295	203	163	101	62.4	26.0	18.2	10.2	5.35
10.8V	277	191	155	95.5	59.3	25.5	17.8	10.0	5.35

Constant Wattage Discharge Characteristics (Watt, 25°C)

F.V/TIME	5min	10min	15min	30min	60min	3h	5h	10h	20h
9.60V	3259	2305	1864	1160	741	310	219	123	64.2
10.2V	3096	2189	1789	1128	711	306	215	122	64.2
10.8V	2910	2058	1700	1072	676	300	210	119	63.6