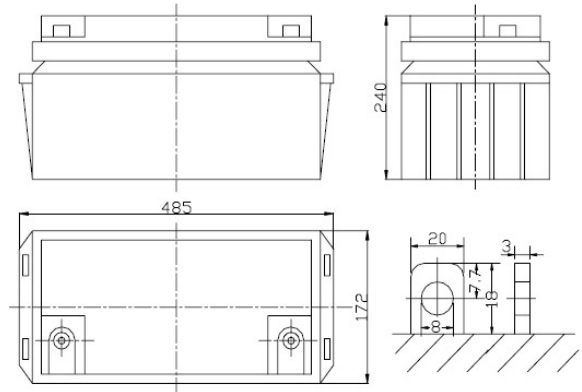


UPSA 12-150

UPSA - are VRLA 10^(*) years life time batteries

[(*) see the table "Float service life V'S temperature]



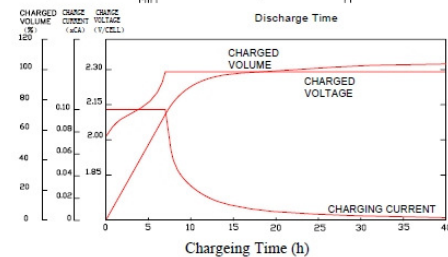
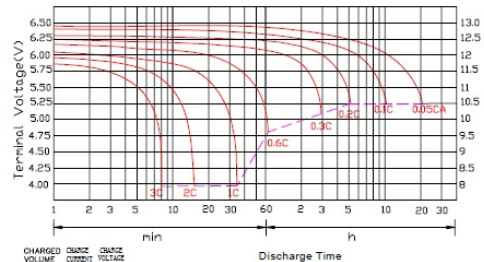
Specifications

Nominal Voltage		12V
Rated Capacity		150Ah
Dimensions	Total Height	9.44 inches (240mm)
	Height	9.44 inches (240mm)
	Length	19.09 inches (485mm)
	Width	6.77 inches (172mm)
Approximate Weight		97.5 lbs. (44.3kg)

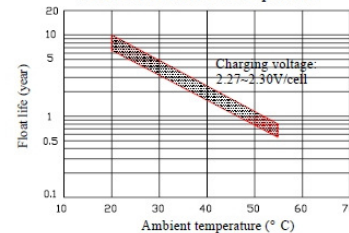
Characteristic

Capacity 77°F(25°C)	20h rate	158.4Ah
	10h rate	150Ah
	5h rate	135Ah
	1h rate	90.7Ah
	15 min rate	58.3Ah
Internal Resistance	Full Charged Battery 77°F(25°C)	Approx. 3.7mΩ
Capacity Affected by Temperature (20h rate)	104°F(40°C)	102%
	77°F(25°C)	100%
	32°F(0°C)	85%
	5°F(-15°C)	65%
Self-Discharge 68°F(20°C) (Capacity after)	3 month storage	90%
	6 month storage	80%
	12 month storage	60%
Max. Discharge Current 77°F(25°C)	1200A(5s)	
Terminal	T9/T13	
Charge (Constant Voltage, 25°C)	Cycle	14.4~14.7V(-24mV/°C) max. current:45A
	Float	13.6~13.8V(-18mV/°C)

DISCHARGE CHARACTERISTICS AT 25° C(77° F)



Float service life V'S temperature



Constant Current Discharge Characteristics (A, 25°C)

F.V/TIME	5min	10min	15min	30min	60min	3h	5h	10h	20h
9.60V	458	306	243	153	94.5	38.8	27.4	15.2	7.99
10.2V	435	290	233	147	90.7	38.3	27.0	15.1	7.92
10.8V	409	273	221	139	86.2	37.5	26.5	15.0	7.88

Constant Wattage Discharge Characteristics (Watt, 25°C)

F.V/TIME	5min	10min	15min	30min	60min	3h	5h	10h	20h
9.60V	4812	3300	2663	1715	1077	457	324	182	95.9
10.2V	4572	3135	2557	1647	1034	450	319	180	95.1
10.8V	4297	2947	2429	1564	982	441	313	180	94.5