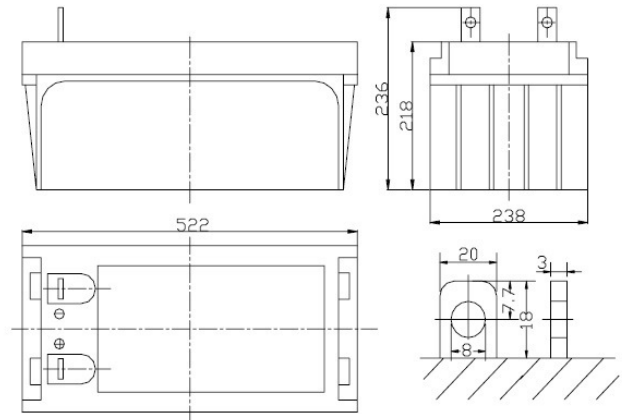


UPSA 12-200

UPSA - are VRLA 10⁺ years life time batteries

[*) see the table "Float service life V'S temperature]



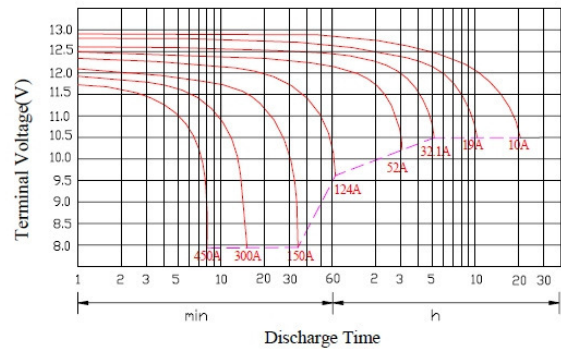
Specifications

Nominal Voltage	12V	
Rated Capacity	200Ah	
Dimensions	Total Height	9.29 inches (236mm)
	Height	8.58 inches (218mm)
	Length	20.55 inches (522mm)
	Width	9.37 inches (238mm)
Approximate Weight	138.6 lbs. (63.0kg)	

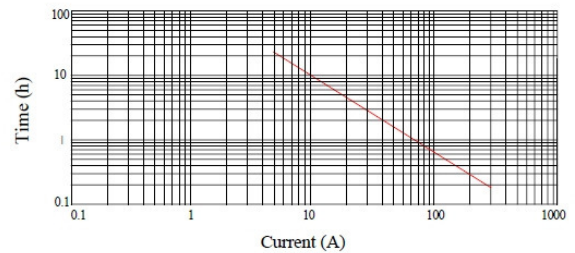
Characteristic

Capacity 77°F(25°C)	20h rate (10.0A)	200Ah
	10h rate (19.0A)	190Ah
	5h rate (32.1A)	160.5Ah
	1h rate (124A)	124Ah
	15 min rate (340A)	85Ah
Internal Resistance	Full Charged Battery 77°F(25°C)	3.5mΩ
Capacity Affected by Temperature (20h rate)	104°F(40°C)	102%
	77°F(25°C)	100%
	32°F(0°C)	85%
	5°F(-15°C)	65%
Self-Discharge 68°F(20°C) (Capacity after)	3 month storage	90%
	6 month storage	80%
	12 month storage	60%
Max. Discharge Current 77°F(25°C)	1000A(5s)	
Terminal	T9/T13	
Charge (Constant Voltage, 25°C)	Cycle	14.4~14.7V(-24mV/°C) max. current: 60.0 A
	Float	13.6~13.8V(-18mV/°C)

DISCHARGE CHARACTERISTICS AT 25° C(77° F)



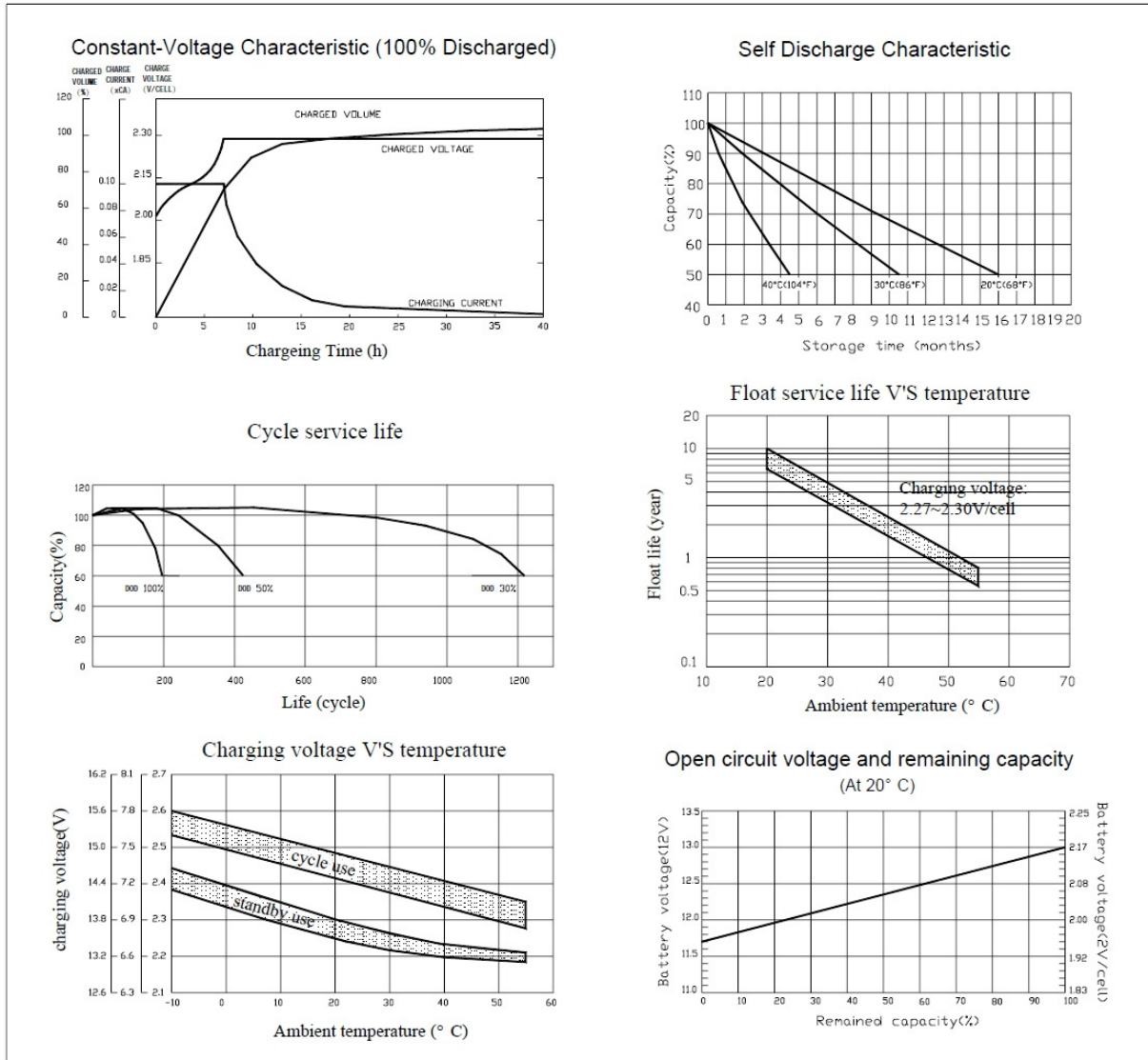
DISCHARGE CURRENT V'S TIME 25° C(77° F)



*The above data are of average values, and can be obtained within 3 charge/discharge cycles. These are not minimum values.

UPSA 12-200

UPSA - are VRLA 10^(*) years life time batteries
 [(*) see the table "Float service life V'S temperature]



- Constant wattage discharge at stipulated cut-off voltages: Watt/Ah/Cell at 25°C

Final voltage (V/cell)	5m	10m	15m	30m	45m	1h	2h	5h	10h	20h
1.60V	1138	780	614	393	294	241	139	64.8	36.8	16.4
1.65V	1120	778	610	385	290	241	139	64.8	36.8	16.4
1.70V	1090	758	597	367	281	241	139	64.8	36.8	16.4
1.75V	964	708	562	319	276	236	137	64.5	36.2	16.4
1.80V	845	659	528	300	266	231	134	63.6	35.8	16.4